


EMERIL LAGASSE

BLENDER & BEYOND™



Owner's Manual

SAVE THESE INSTRUCTIONS – FOR HOUSEHOLD USE ONLY

MODEL: HB2248S **POWER:** DC 7.4V

When using electrical appliances, basic safety precautions should always be followed. Do not use the Emeril Lagasse™ Blender & Beyond™ until you have read this manual thoroughly.





BLENDER & BEYOND™

Before You Begin

The Emeril Lagasse™ Blender & Beyond™ will provide you many years of delicious family meals and memories around the dinner table. But before you begin, it's very important that you read this entire manual, making certain that you are totally familiar with this appliance's operation and precautions.

Table of Contents

Unit Specifications	2	Using the Accessories	11
IMPORTANT SAFEGUARDS	4	Using the Beaters	11
Parts & Accessories	6	Using the Whisk	12
Instructions for Use	8	Using the Frother	12
Before First Use	8	Using the Chopper	13
Charging the Appliance	8	Using the Slicer, Spiralizer, and Shredder	14
General Use	9	Using the S-Blade	15
Adjusting the Appliance's Orientation	9	Using the Masher	16
Using the Blender	10	Processing Information	17
		Choosing a Speed for All Functions	17
		Care & Cleaning	18
		Money-Back Guarantee	19

Unit Specifications

Model Number	Battery Type	Battery Voltage	Speed (Min.-Max.)	Blending Jar Capacity	USB Type
HB2248S	18650 2000mAh	7.4V DC	10,000–15,000 r/min	800 mL	C

IMPORTANT SAFEGUARDS



WARNING

PREVENT INJURIES! CAREFULLY
READ ALL INSTRUCTIONS
BEFORE USE!

When using electrical appliances,
basic safety precautions should be
followed, including the following:

1. Read all instructions before using.
2. To protect yourself from electric shock, never immerse the appliance or the power cord in water or other liquids.
3. Avoid contact with moving parts.
4. Do not operate any appliance if it has a damaged cord or plug, if it is not working properly, or if it has been damaged or dropped. Return the appliance to an authorized service facility for examination, repair, or adjustment.
5. The use of attachments not recommended or sold by the manufacturer may cause fire, injury, or electric shock.
6. Do not use outdoors.
7. Do not let the power cord hang over the edge of the table or counter or touch hot surfaces, including the stove.
8. The blades are sharp. Handle carefully.
9. The appliance will not work with a 220-volt power supply and should not be used with a converter. Using the appliance with a converter could damage the appliance, the converter, and the outlet. Using a converter will invalidate the guarantee and any protection plan policy.
10. Do not plug the appliance into the power supply until it is fully assembled.
11. This appliance is not intended for use by children or by people with reduced physical, sensory, or mental capabilities or lack of experience and knowledge. Close supervision is necessary when any appliance is used near children. Children should be supervised to ensure that they do not play with the appliance.
12. Close supervision is necessary when any appliance is used by or near children.
13. Keep hands and utensils out of the container while blending to reduce the risk of severe injury to persons or damage to the appliance. A scraper may be used but must be used only when the appliance is not running.
14. Do not attempt to defeat the cover interlock mechanism.
15. Keep your hands, hair, and clothing – as well as spatulas and other utensils – away from beaters during operation to reduce the risk of injury to persons and/or damage to the appliance.

IMPORTANT SAFEGUARDS

Electrical Safety

16. This appliance should be serviced only by qualified service technicians. Contact Customer Service using the information located on the back of this manual.
17. Failure to follow these instructions can result in death, fire, or electrical shock.
18. **DO NOT** clean with metal scouring pads. Pieces can break off the pad and touch electrical parts, creating risks of electric shock.
19. This appliance is for home use only. If the appliance is used improperly or for professional or semi-professional purposes or if it is not used according to the instructions in the user manual, the guarantee becomes invalid and HPC Brands will not be held liable for damages.
20. **SAVE THESE INSTRUCTIONS.**

**SAVE THIS
INSTRUCTION MANUAL.
FOR HOUSEHOLD USE ONLY.**

Parts & Accessories



- | | | |
|---|----------------------------------|--------------------------------------|
| A. Variable Speed Controller | L. Beater Gear Box | Y. Chopper Bowl Feet* |
| B. Indicator Lights | M. Beaters | Z. Masher Holder* |
| C. Unlock Button | N. Frother* | AA. Masher Shaft* |
| D. Power Button | O. To-Go Cup* | AB. S-Blade* |
| E. Motor Housing | P. To-Go Cup Lid* | AC. Food Processor Bowl* |
| F. Angle Adjustment Button (on the back) | Q. USB/AC Adaptor | AD. Food Processor Bowl Feet* |
| G. Blending Shaft | R. USB-C Power Cord | AE. Slicer* |
| H. Blending Guard | S. Charging Base | AF. Spiralizer* |
| I. Storage Guard | T. Blending Jar Lid | AG. Shredder Disc* |
| J. Whisk Holder | U. Blending Jar (800 mL) | AH. Pusher* |
| K. Whisk | V. Chopper Bowl Lid* | AI. Food Processor Bowl Lid* |
| | W. Chopper Bowl (500 mL)* | |
| | X. Chopper Blade* | |

Parts & Accessories



* Some accessories may be sold separately.

NOTE: Unpack all listed contents from the packaging. Contents vary by model. Please remove any clear or blue protective film on the components before use.

Instructions for Use

Before First Use

1. Read all material, warning stickers, and labels.
2. Unpack all listed contents from the packaging. Please make sure that your appliance has been shipped with the components that you ordered. Some accessories listed may be sold separately. Check everything carefully before use. If any part is missing or damaged, do not use this product. Contact HPC Brands, LLC using the customer service number located on the back of this manual.
3. Remove all packing materials, stickers, and labels from the appliance. Remove any clear or blue protective film on the components before use. Wash the components with soap and water.

Charging the Appliance

1. The appliance can be charged either by loading it into the Charging Base or by plugging a USB-C charger into the appliance.
2. When charging the appliance, the Indicator Lights show the appliance's power level:
 - a) Three Indicator Lights: 100% power.
 - b) Two Indicator Lights: 75% power.
 - c) One Indicator Light: 40% power.
 - d) When the last Indicator Light is flashing, the battery power is less than 30% and should be recharged soon.



Instructions for Use

General Use

- Make sure the appliance is fully charged prior to use.
- To start the appliance, first press the Unlock Button. The Indicator Lights will turn red. Then, press and hold the Power Button. The Indicator Lights will turn blue. If you release the Power Button, the appliance will stop operating but remain ready to use for 10 seconds. While the Indicator Lights are blue, you can release and press the Power Button as needed, such as to pulse. After 10 seconds, the Indicator Lights will turn off. In this state, you will need to press the Unlock Button again before pressing the Power Button to continue using the appliance.
- Use the Variable Speed Controller to set the speed of the appliance. Set the Variable Speed Controller to a low speed before starting the appliance. Once the appliance is running, adjust the speed as needed.
NOTE: During use, it is normal for suction to increase at the bottom of the container.
- When blending is complete, release the Power Button before removing the appliance from the mixture.
- The recommended time of use for the appliance is 1 minute of continuous use.

Indicator Lights

When you press the Unlock Button, one Indicator Light will turn red. When you press the Power Button within 10 seconds, the Indicator Lights will turn blue. The number of lights displayed indicates the appliance's battery charge (see the "Charging the Appliance" section).

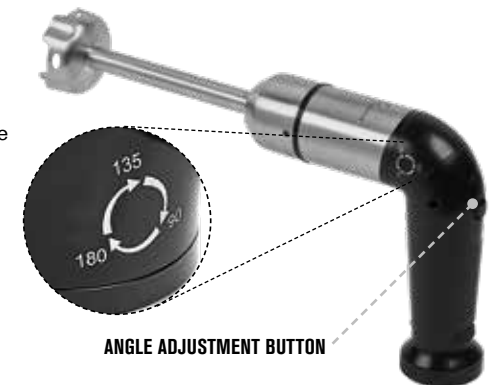
Operating Tips

- Cut solid foods into ½-inch (13 mm) pieces for easier mixing or chopping.
- Use an up and down motion for blending and pureeing.
- If using the blender directly in a saucepan, be sure to remove the pan from the heat before using the blender.

Adjusting the Appliance's Orientation

The appliance can be angled to make different activities easier. To adjust the orientation of the appliance:

1. Press the Angle Adjustment Button.
2. Rotate the bottom half of the appliance until the appliance clicks into place in the desired orientation.
3. The appliance can be rotated to three different angles:
180°: Ideal for immersion blending.
135°: Ideal for whisk blending.
90°: Ideal for beating.

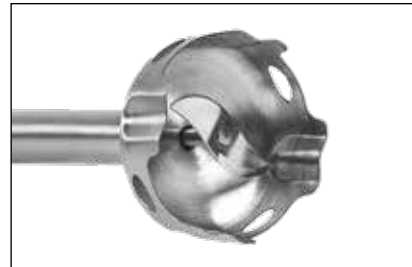


Instructions for Use

Using the Blender

Use the hand blender for preparing dips, sauces, soups, mayonnaise, and baby food; mixing milkshakes; and crushing ice. You can blend in the Pitcher or most other vessels.

1. Attach the Blending Shaft to the Motor Housing and twist until they lock into place.
2. Attach the Blending Guard to the end of the Blending Shaft. The Blending Guard helps prevent the edges of the Blending Shaft from scratching cookware.



Caution: Blade is sharp



Blending Guard

Using the Accessories

Using the Beaters

1. Attach the Beaters to the Beater Gear Box.
2. Attach the Beater Gear Box to the Motor Housing and twist until they lock into place.
3. Lower the appliance into the vessel containing your ingredients. Use the Variable Speed Controller to select a speed. Press the Unlock Button and then press and hold the Power Button to turn on the appliance.
4. When you are done, release the Power Button to stop. After 10 seconds, the Indicator Lights will turn off.



Using the Accessories

Using the Whisk

1. Attach the Whisk to the Whisk Holder and then the Motor Housing and twist until they lock into place.
2. Lower the appliance into the vessel containing your ingredients. Use the Variable Speed Controller to select a speed. Press the Unlock Button and then press and hold the Power Button to turn on the appliance.
3. When you are done, release the Power Button to stop. After 10 seconds, the Indicator Lights will turn off.



Using the Frother

1. Attach the Frother to the Whisk Holder and then the Motor Housing and twist until they lock into place.
2. Lower the appliance into the vessel containing your ingredients. Use the Variable Speed Controller to select a speed. Press the Unlock Button and then press and hold the Power Button to turn on the appliance.
3. When you are done, release the Power Button to stop. After 10 seconds, the Indicator Lights will turn off.



Using the Accessories

Using the Chopper

Do not use the chopper to chop extremely hard food, such as ice cubes, nutmeg, coffee beans, and grains.

1. Before chopping, carefully remove the plastic cover from the blade. The blade is very sharp, so always hold the blade by the upper plastic part.
2. Place the Chopper Blade on the center pin of the Chopper Bowl. Press down on the blade and lock the blade in place. Always place the Chopper Bowl on the anti-slip base.
3. Place your ingredients in the Chopper Bowl.
4. Place the Chopper Bowl Lid on the Chopper Bowl.
5. Attach the Motor Housing to the Chopper Bowl Lid and twist until they lock into place.
6. Use the Variable Speed Controller to select a speed. Press the Unlock Button and then press and hold the Power Button to turn on the appliance. While the appliance is running, hold the Motor Housing with one hand and hold the Chopper Bowl with the other.
7. When you are done, release the Power Button to stop. After 10 seconds, the Indicator Lights will turn off.



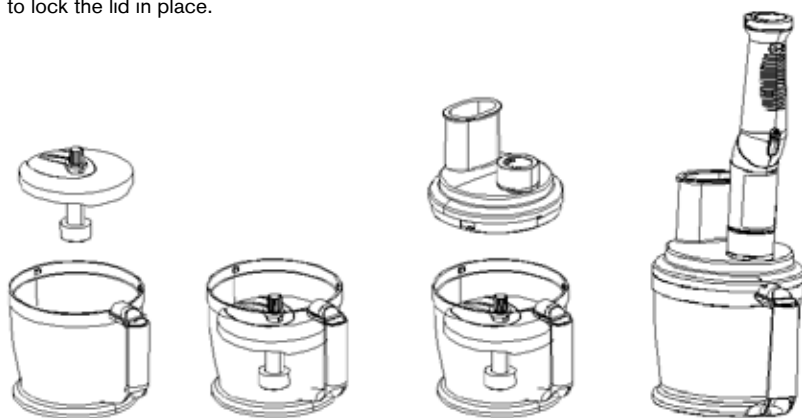
Using the Accessories

Using the Slicer, Spiralizer, and Shredder

Do not slice, spiralize, or shred more than 17 oz (500 g) of food at once. Do not use these attachments with meat.

1. Place the Shredder Disc on the center pin of the Food Processor Bowl. Press down on the blade and lock the blade in place. Always place the Food Processor Bowl on the anti-slip base.
2. To spiralize, attach the Spiralizer to the top of the Shredder Disc. To slice, attach the Slicer to the top of the Shredder Disc. To shred, do not add any attachment to the Shredder Disc.
3. Place the Food Processor Bowl Lid over the Food Processor Bowl and twist to lock the lid in place.

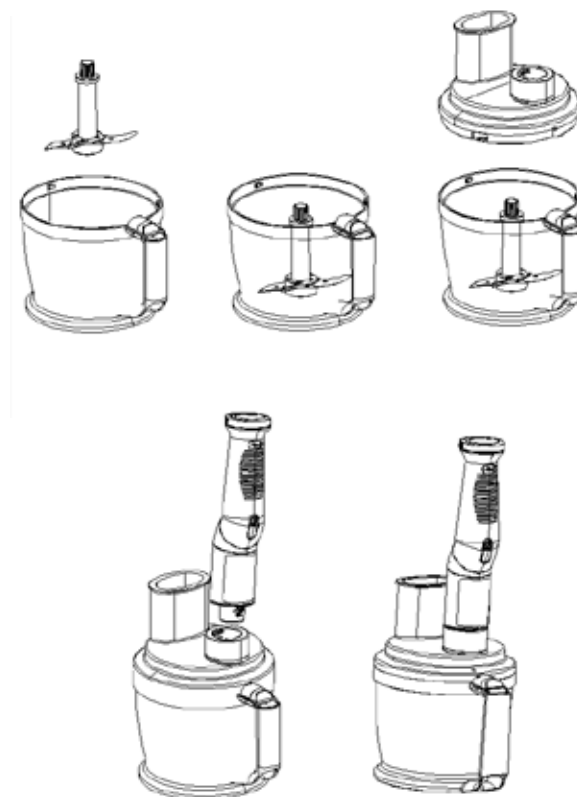
4. Attach the Motor Housing to the Food Processor Bowl Lid and twist until they lock into place.
5. Press the Unlock Button and then press and hold the Power Button to turn on the appliance.
6. Carefully use the Pusher to guide food into the feeder tube. Never use your finger or a utensil to guide food into the feeder tube.
7. When you are done, release the Power Button to stop. After 10 seconds, the Indicator Lights will turn off.



Using the Accessories

Using the S-Blade

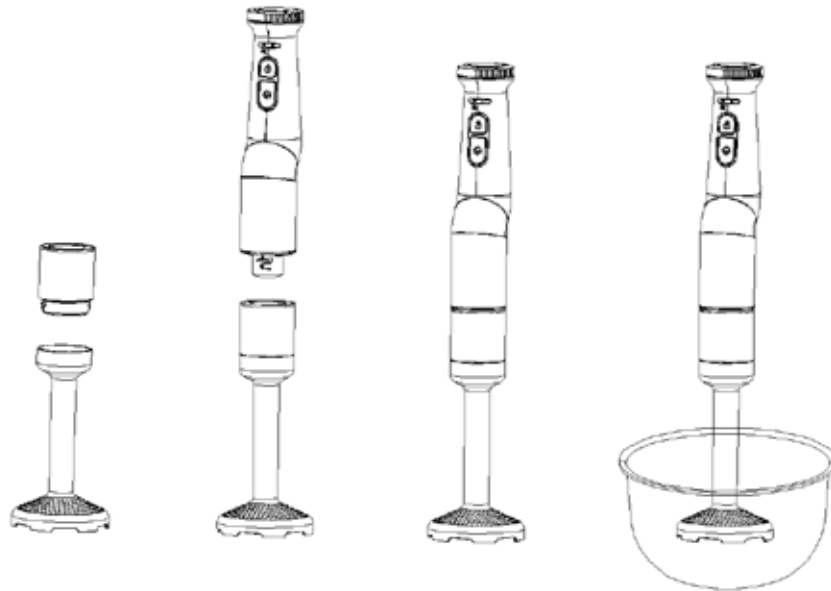
1. Place the S-Blade on the center pin of the Food Processor Bowl. Press down on the blade and lock the blade in place. Always place the Food Processor Bowl on the anti-slip base.
2. Place the Food Processor Bowl Lid over the Food Processor Bowl and twist to lock the lid in place.
3. Attach the Motor Housing to the Food Processor Bowl Lid and twist until they lock into place.
4. Use the Variable Speed Controller to select a speed. Press the Unlock Button and then press and hold the Power Button to turn on the appliance.
5. Carefully use the Pusher to guide food into the feeder tube. Never use your finger or a utensil to guide food into the feeder tube.
6. When you are done, release the Power Button to stop. After 10 seconds, the Indicator Lights will turn off.



Using the Accessories

Using the Masher

1. Attach the Masher Shaft to the Masher Holder and twist until they lock into place.
2. Attach the Masher Holder to the Motor Housing and twist until they lock into place.
3. Lower the appliance into the vessel containing your ingredients. Use the Variable Speed Controller to select a speed. Press the Unlock Button and then press and hold the Power Button to turn on the appliance.
4. To adjust your speed, turn the Variable Speed Controller. To pulse, press and release the button.
5. When you are done, release the Power Button to stop. After 10 seconds, the Indicator Lights will turn off.



Processing Information

Choosing a Speed for All Functions

Recommendation: Start at a low speed and increase as needed after you begin.

Tool/ Attachment*	Function	Speed	Maximum Capacities	Size	Operation Time
S-Blade	Food Processor	High	300 g/10.58 oz raw beef	2–2.5 cm .78 in–.98 in	15 seconds
			200 g/7 oz nuts	N/A	15 seconds
			200 g/7 oz vegetables, such as carrots, potatoes	2–3 cm .78 in–1.18 in	15 seconds
			200 g/7 oz Parmesan (hard) cheese	1–2 cm .39 in–.78 in	15 seconds
			200 g/7 oz baking chocolate	1–2 cm .39 in–.78 in	15 seconds
S-Blade	Food chopper	High	150 g/5.29 oz raw beef	2–2.5 cm .78 in–.98 in	15 seconds
			100 g/3.5 oz nuts	N/A	15 seconds
			100 g/3.5 oz vegetables, such as carrots, potatoes	2–3 cm .78 in–1.18 in	15 seconds
			100 g/3.5 oz Parmesan (hard) cheese	1–2 cm .39 in–.78 in	15 seconds
			100 g/3.5 oz baking chocolate	1–2 cm .39 in–.78 in	15 seconds
Masher	Masher	High	To process 1000 g boiled potatoes using a large bowl	1–2 cm .39 in–.78 in	1 minute
Slicer/shredder blade	Slicing/shredding food and vegetables, such as carrots	High	500 g vegetables, such as carrots, cabbage, potatoes IMPORTANT: The Slicer and Shredder Disc are not suitable for cutting hard meat and cheese.	N/A	Until a batch is shredded

* Some accessories may be sold separately.

Care & Cleaning

Cleaning

- Power off and unplug the appliance before cleaning.
- All blades are very sharp. Handle carefully.
- Use only a damp cloth to clean the Motor Housing and Chopper Bowl Lid.
- Do not immerse the Motor Housing in water.
- Remove the Blade Guard before cleaning the Blender Shaft.

- After processing salty food, rinse the parts that were used immediately.
- When processing colorful food, the plastic parts of the appliance can become discolored. Wipe these parts with vegetable oil before cleaning.

Storage

- Always place the plastic guard on the Chopper Blade before storing. Store the appliance and its parts in a clean, dry place.


EMERIL LAGASSE

BLENDER & BEYOND™

90-Day Money-Back Guarantee

The Emeril Lagasse™ Blender & Beyond™ is covered by a 90-day money-back guarantee. If you are not 100% satisfied with your product, return the product and request a replacement product or refund. Proof of purchase is required. Refunds will include the purchase price, less processing and handling. Follow the instructions in the Return Policy below to request a replacement or refund.

REPLACEMENT GUARANTEE POLICY

Our products, when purchased from an authorized retailer, include a 1-year replacement guarantee if your product or component part does not perform as expected, the guarantee extends only to the original purchaser and is not transferable. If you experience an issue with one of our products within 1 year of purchase, return the product or the component part for replacement with a functionally equivalent new product or part. The original proof of purchase is required, and you are responsible to pay to return the appliance to us. In the event a replacement appliance is issued, the guarantee coverage ends six (6) months following the receipt date of the replacement appliance or the remainder of the existing guarantee, whichever is later. HPC Brands, LLC reserves the right to replace the appliance with one of equal or greater value.

RETURN POLICY

If, for any reason, you would like to replace or return the product under the money-back guarantee, your order number can be used as the return merchandise authorization number (RMA). If the product was purchased in a retail store, return the product to the store or use "RETAIL" as the

RMA. Return your product to the address provided below for a replacement, which will incur no additional processing and handling fees, or for the refund of your purchase price, less processing and handling. You are responsible for the cost of returning the product. You can locate your order number at www.customerstatus.com. You can call customer service at 973-287-5132 for any additional questions. Pack the product carefully and include in the package a note with (1) your name, (2) mailing address, (3) phone number, (4) email address, (5) reason for return, and (6) proof of purchase or order number, and (7) specify on the note whether you are requesting a refund or replacement. Write the RMA on the outside of the package.

Send the product to the following return address:

Emeril Lagasse Blender & Beyond
HPC Brands, LLC
500 Returns Road
Wallingford, CT 06495

If the replacement or refund request has not been acknowledged after two weeks, please contact Customer Service at 973-287-5132.

REFUND

Refunds requested within the money-back guarantee timeframe will be issued to the payment method used at purchase if the item was purchased directly from HPC Brands, LLC. If the item was purchased from an authorized retailer, proof of purchase is required, and a check will be issued for the item and sales tax amount. Processing and handling fees are non-refundable.



BLENDER & BEYOND™

We are very proud of the design and quality of our
Emeril Lagasse Blender & Beyond™.

This product has been manufactured to the highest standards. Should you have any questions, our friendly customer service staff is here to help you.

To contact us, call us at 973-287-5132.

Distributed by: HPC Brands, LLC
Middleton, WI 53562
© 2022 HPC BRANDS, LLC
All rights reserved.



PXL-BB_IB_RTL_ENG_V1_220520